

# RIV942 Hydropneumatic tool for rivet nuts from M4 to M12



2 PHASES TRIGGER  
2 ADJUSTMENT  
SYSTEMS  
(STROKE AND FORCE)

**Code 1701600**

To place RIVSERT female rivet nuts from M4 to M12 and RIVBOLT male rivet nut from M4 to M10.

RIV942 to place rivet nuts using 2 adjustment systems in just 1 tool: stroke and force.

Automatic screwing by positioning the tie rod in the rivet nut, 1 PHASE rivet nut deformation

2 PHASE rivet nut unscrewing.

In order to avoid the use of a special rod, a system has been designed to lodge an allen screw (hardness class 12.9), easy to find on the market and replace.

**Advantages:** kit assembling without use of the key | does not require any regulation with the change in thickness | no damage to the screw if the operation of deformation of the rivet nut is repeated.

## Spare parts for RIVSERT



Ø rivet nut	Kit	Kit code	* Screw code (DIN912 12.9)
M4	942/04	3441200	3470500
M5	942/05	3441300	3471900
M6	942/06	3441400	3472300
M8	942/08	3441500	3472800
M10	942/10	3441600	3473100
M12	942/12	4259200	3473300

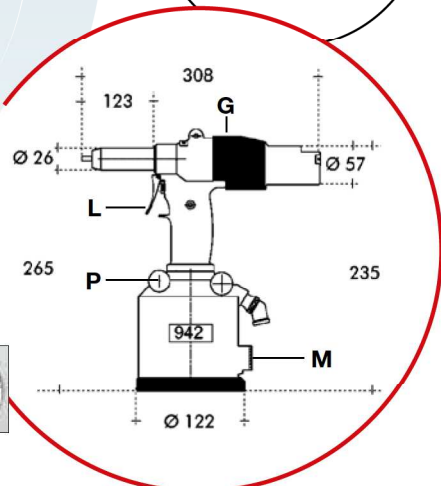
\* Screw is included in the "Kit code" and can be ordered separately.

## Spare parts for RIVBOLT



Ø rivet nut	Kit	Kit code	* Code (female tie rod)
M4	942/04B	3442300	3441900
M5	942/05B	3442400	3442000
M6	942/06B	3442500	3442100
M8	942/08B	4259400	3442200
M10	942/10B	4601900	4601800

\* The female tie rod is included in the "Kit code" and can be ordered separately.



RIV942 is supplied in a case without the frontal head kit. Choose the correct one, according to the fastener to be placed, and order it separately (see the spare parts for RIVSERT/RIVBOLT).

## ADJUSTMENT (check the technical drawing):

- 1) Pressure adjustment through the knob rotation (P) and keeping the trigger (L) pushed on the first step (traction) you can read the air pressure value on the manometer (M).
- 2) Stroke adjustment through the ring nut (G).

## Technical data and features

Air working pressure	6 bar
Min-max air pressure	5/7 bar
Air consumption per cycle (6 bar)	7.5 lt
Stroke	10 mm
Max power (6 bar)	31000 N
Weight (without kit)	3.100 Kg
Vibrations	< 2,5 m/s <sup>2</sup>
Noise level	< 80 dB (A)



Manometer for air pressure adjustment.



Stroke adjustment.

