

# RIV760 14.4 V battery riveting tool up to Ø 6.4

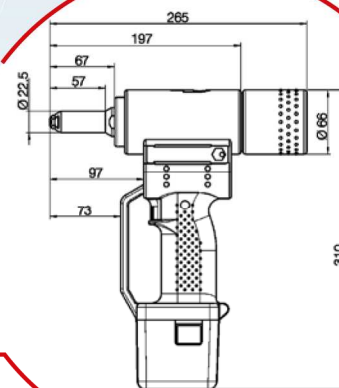


LITHIUM BATTERY

Code 1678700

To place standard and structural steel rivets **MAGNARIV** and **LOCKRIV** from Ø 6.0 to Ø 6.4 mm and extralong **FIORIV** for roofing Ø 4.8-6.4.

The discharge of the mandrel is made through action of gravity, either forwards through the nosepiece or backwards into the mandrel container.



## Spare parts

Picture	Description	Ah	Code
	Lithium battery 14.4 V	2.6	42077RT
	Universal battery charger	-	42075RT

## Optional

Description	Blind rivet Ø	Code
Retention nosepiece	3.4-4.0-4.8	1079800
Retention nosepiece	6.0 (all alloys)	2237400
Cone w/universal nosepiece	2.4-3.2-4.0-4.8	1050700
200 mm extension	-	4395700
Jaws (3 pcs series)	4.8-6.0-6.4	2309400



### Retention nosepiece

It firmly holds the blind rivet by a lateral ball.



### Kit universal nosepiece

Thanks to the rotation you can choose Ø 2.4÷3.2÷4.0÷4.8.



### Extension 200 mm

extension kit.



### Jaws

3 pcs series.

RIV760 is supplied in a metallic case with a lithium battery of 2.6 Ah and a battery charger.

## Technical data and features

Operating voltage	14.4 V
Stroke	20 mm
Battery charger	200 W - 50 Hz
Tensile strength	13000 N
Weight (with battery)	2.235 Kg

## N° of blind rivets you can place (with one charge)

Rivet Ø	Material	Rivets/battery
4.8	Aluminium	700
4.8	Steel	500
4.8	Stainless steel	400
6.0	Aluminium	400
6.0	Steel	220
6.4	Aluminium	300
6.4	Steel	180

