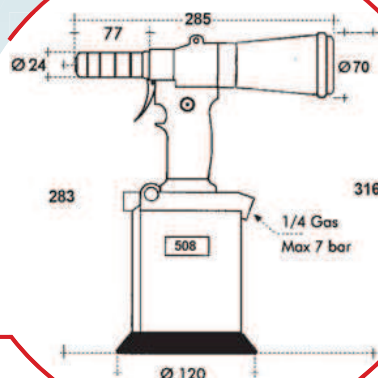


RIV508 Hydropneumatic tool for structural blind rivets & bolts



Code 3008000

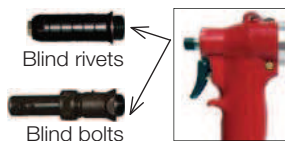
To place structural blind rivets from Ø 4.8 to Ø 7.8 and blind bolts Ø 4.8 and Ø 6.4.

RIV508 is a reversible tool. It is supplied without head. Different kits of standard front heads are available on request. Fitted out with a system of blind rivet suction and nail recovery.

Optional



Extensions 100-150-200 mm.
Code **4348800-4348900-4349000**



Blind rivets
Blind bolts



Collar cutter heads for standard collar (not flanged) Ø 4.8 and Ø 6.4.
Code **4047100-4047200**



Deflector kit for blind bolts.
Code **3259500**

Head kits

Picture	Kit	Description	Kit code
	508/50R48	Head for standard and structural blind rivets Ø 4.8	4303400
	* 508/50R	Head for blind rivets Ø 6.0, 6.4, 7.8 and for structural blind rivets Ø 6.4 (Magnariv, Magnarivgrip, Monriv, Lockriv)	3123100
	508/80R	Head for Lockriv structural blind rivets Ø 7.8	3123200
	508/80RX	Head for Lockriv stainless steel structural blind rivets Ø 7.8	4729400
	508/100R	Head for structural aluminium blind rivets Ø 9.8 (Lockriv and Magnariv)	4609600
	508/50B	Complete head for Rivlock blind bolts Ø 4.8 - Property class 5.8	3020900
	508/64B	Complete head for Rivlock blind bolts Ø 6.4 - Property class 5.8	3020700
	508/64B/1	Complete head for Rivblock blind bolts Ø 6.4	3020700 + 2973000 **
	508/64B/2	Complete head for Rivtainer blind bolts Ø 6.4	3020700 + 4193200 ***
	508/50G	Complete head for Rivlockgrip blind bolts Ø 4.8 - Property class 5.8	3118400
	508/64G	Complete head for Rivlockgrip blind bolts Ø 6.4 - Property class 5.8	3119700

* Specific equipments are available on request, in order to use kit 508/50R Monriv Ø 6.4 and standard blind rivets Ø 7.8.

** To place Rivblock couple the special external cone without collar - code **2973000**.

***To place Rivtainer couple the special external cone with collar - code **4193200**.

